

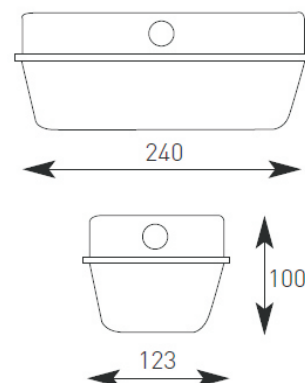
Product Data Sheet

Bulkhead

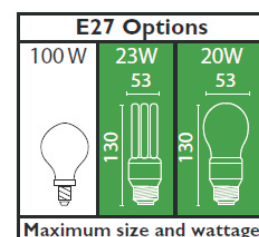
Supplied Less Lamp



- Aluminium alloy body to prevent corrosion
- Option of vandal resistant polycarbonate or glass lens
- Integral photocell options for PL versions



Code	Lamp	Description
A100PC	E27	100W - Polycarbonate Lens
A100GC	E27	100W - Glass Lens
A100PR	E27	100W - Red Polycarbonate Lens
A1X9PC	PL-S	1 x 9W PL - Polycarbonate Lens
A2X9PC	PL-S	2 x 9W PL - Polycarbonate Lens
A1X9PCP	PL-S	1 x 9W PL Photocell - Polycarbonate Lens
A2X9PCP	PL-S	2 x 9W PL Photocell - Polycarbonate Lens



CE F IP65